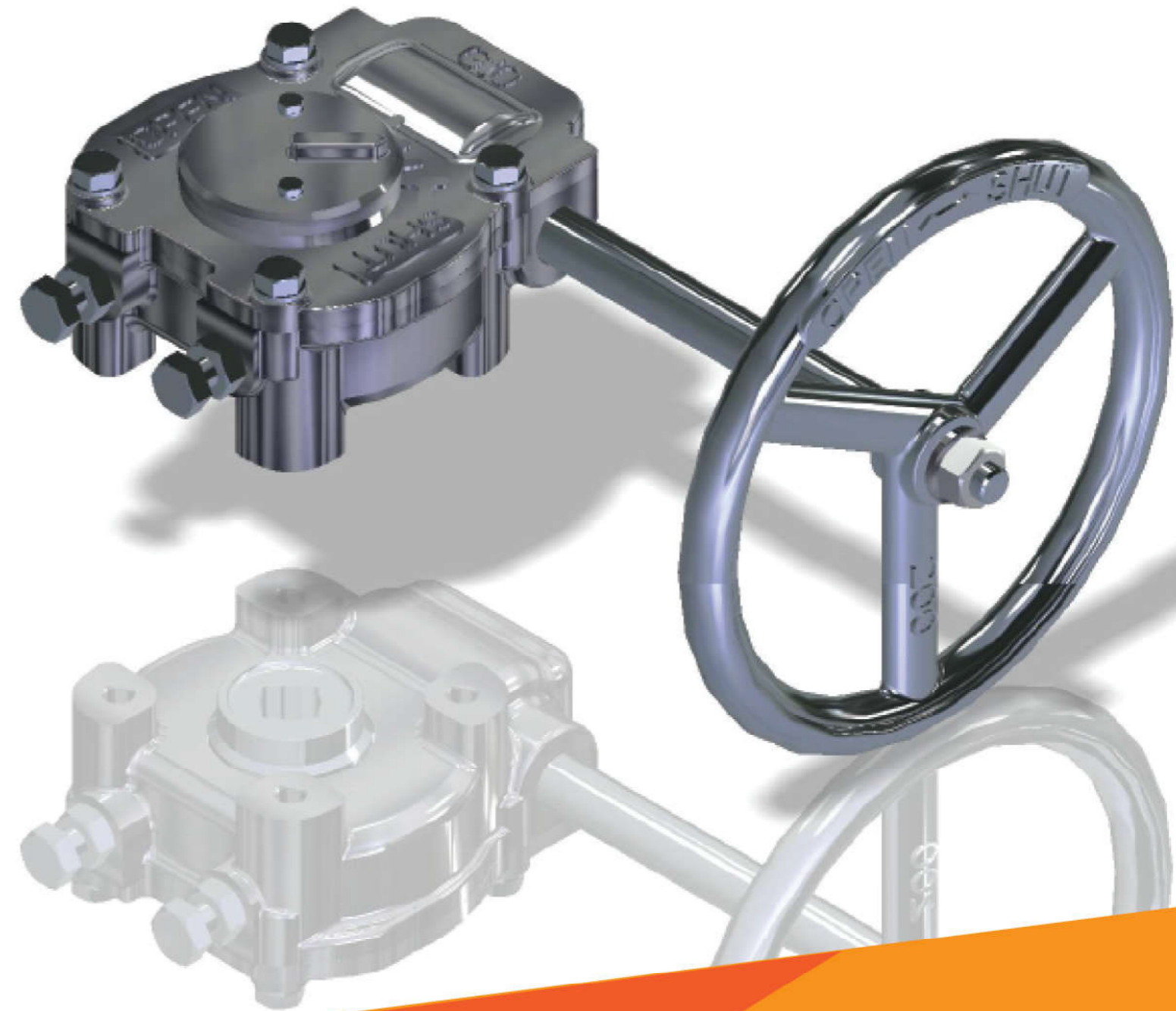


HIPPO in the fluid world.



Control / Double Offset / Triple Offset Metal Seated

239 No.17, Ln.29, Sanying Rd., Yingge Dist.,

New Taipei City, Taiwan (R.O.C.)

Tel: +886-2-35012626 Fax: +886-2-35012727

Web: <http://www.hippovalve.com/>

Mail: sales@hippovalve.com

Copyright © 2014 - HippoValve Co., Ltd. All Rights Reserved.

HIPPO Accessories

G / L Series Manual Actuator

Gear Lever

TABLE OF CONTENTS

■ [G-Series Quarter-turn Gearboxes](#)

■ [L-Series Quarter-turn Levers](#)



40 YEARS

VISION&MISSION

*"It's all about quality.
There is always a better way."*

■ [Company Profile](#)

HIPPO Valve Co., Ltd. is a TUV ISO9001 certified professional High Performance Double-Offset Butterfly Valve and Triple-Offset Metal Seated Butterfly Valve manufacturer

With more than 40 years experience in butterfly valve and other related products, our engineering teams have had served lots industries as chemistry, pulp and paper, petrochemical, air separator, HVAC, energy and power plant, and water treatment.

■ [Quality Responsibility](#)

"Building New Generation High Performance Valves"

With this vision, we work hard all the day, all the time. It is not only a statement, but a target to push us devote all our passion and knowledge to a perfect integration of 40 years experience and valve engineering. HIPPO Valve utilizes latest engineering design software PTC Creo Parametric, modern 3D CAD simulation, and advanced CNC devices. All above capabilities are fused and 100% implemented in our production. **HIPPO VALVE, your very trusted vendor.**

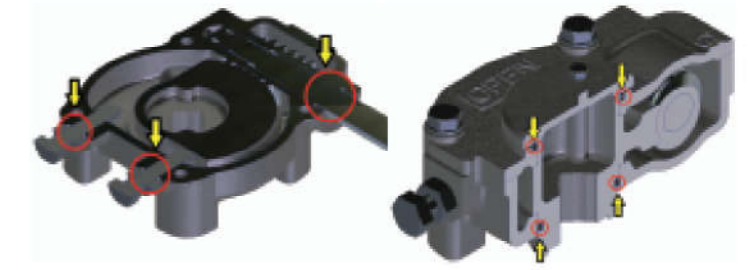
G-Series Quarter-turn Gearboxes



FEATURES

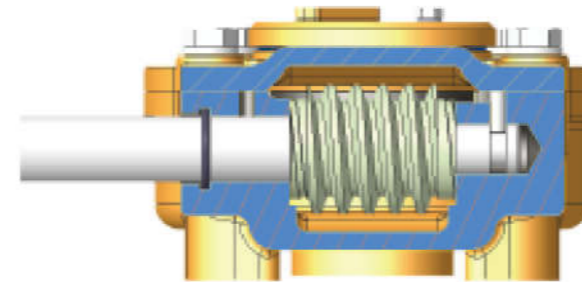
IP68 Outdoor Protection

All potential leaking faces, including component joints and body-to-cover seams, are fully sealed by O-ring and water-proof glue. More than enough for harsh environment.



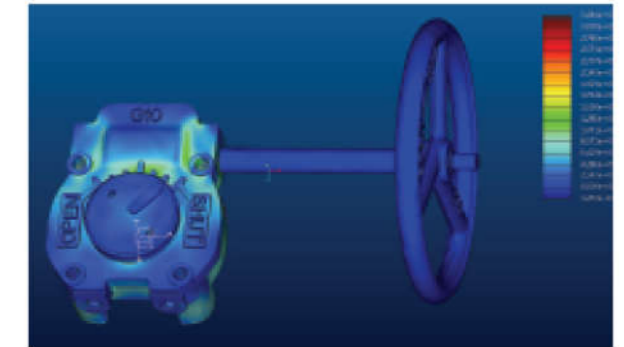
Patented Quick-Disassembly

A robust actuator works for a long life. A long life working always meets and requires maintenance. HIPPO's patented quick-disassembly capability make maintenance simple and easy.



Perfect Strength Latest Modern Design

A solid 3D CAD modeling made with FEMA and Six-sigma ensures the client requirements are maximum fulfilled by best design and precious machining.



ISO Mounting

HIPPO Valve designed actuator according to global standard ISO 5211 mounting. The HIPPO G-series quarter-turn gearbox can be assembled with any quarter-turn valve, which have ISO mounting, through HIPPO accessory yolk.

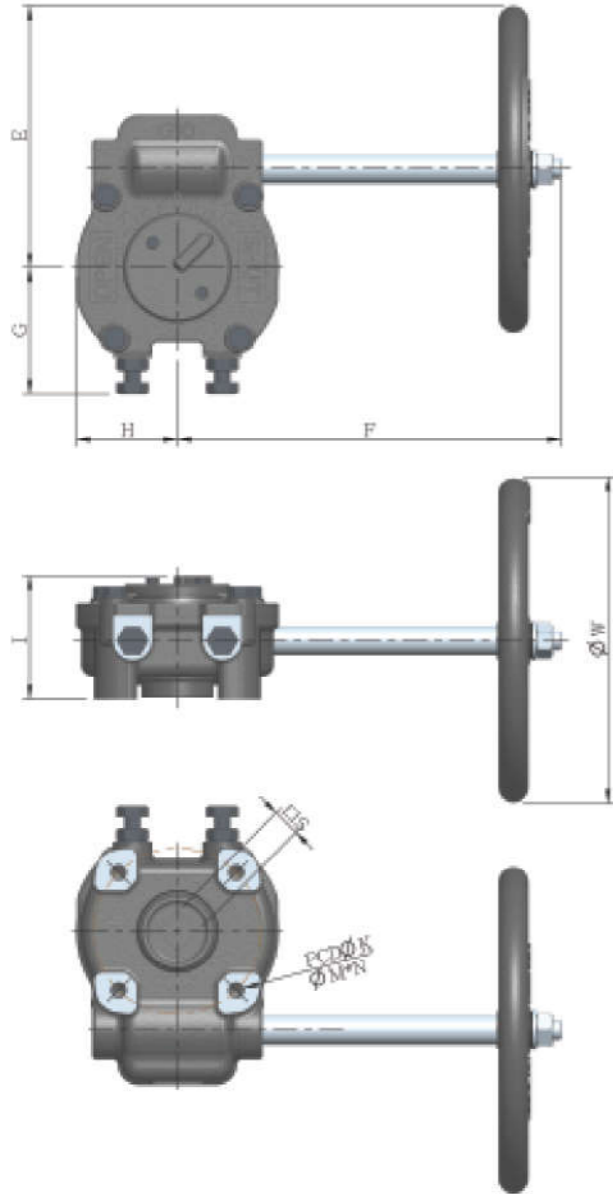
Fire-safe Reliability

G-series passed the fire-safe testing, certified by notified body, with HIPPO Valve according to API607 and ISO10497. This outstanding capability guarantee nothing but reliability even after 1000°C burning.



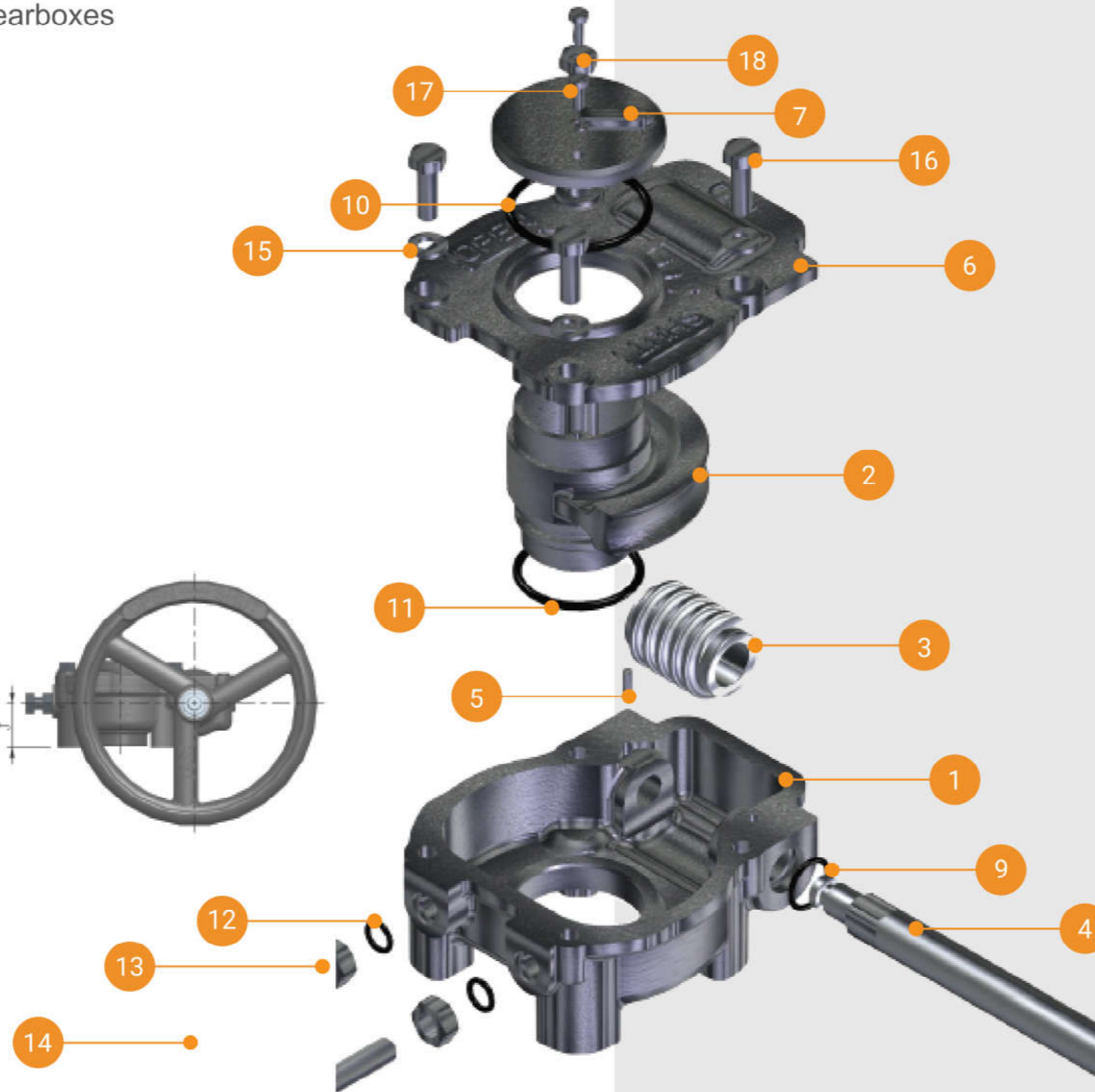
DIMENSIONS

Three View Drawing



Dimension Unit: mm

MODEL	K	M	N	E	F	G	H	I	J	W	∅S	GEAR RATIO	MAX. OUTPUT TORQUE (Nm)	WEIGHT (kg)
G07	70	M8	4	97	133	66	49	72	34	100	11	40:1	250	2.6
											14			
											17			
											19			
G10	102	M10	4	161	236	77	62	76	36	200	17	40:1	500	5.5
											19			
											22			
											27			
G12	125	M12	4	183	236	94	84	89	39	200	22	60:1	1000	8.7
											27			
											32			
											36			
G14	140	M16	4	257	324	120	110	106	50	300	46	64:1	2000	17.9
											36			
											46			
											55			
G16	165	M20	4	352	374	153	162	126	58	400	36	96:1	4000	36.5
											46			
											55			
											65			
G25	254	M16	8	512	446	185	232	146	65	600	36	125:1	8000	70
											46			
											55			
											65			

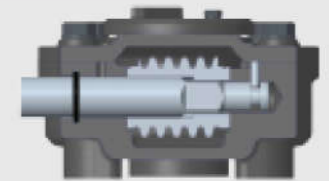


BILL OF MATERIALS

NO.	PART NAME	QTY	MATERIAL
1	Body	1	A126 Cl. B
2	Worm Gear	1	A536 Gr. 80-55-06
3	Worm	1	A29 Gr. 1055
4	Shaft	1	A182 Gr. F6a
5	PIN	1	A29 Gr. 1045
6	Cover	1	A126 Cl. B
7	Position Indicator	1	A126 Cl. B
8	Wheal	1	A126 Cl. B
9	O-Ring	2	NBR
10	O-Ring	1	NBR
11	O-Ring	1	NBR
12	O-Ring	2	NBR
13	Nut	2	A307
14	Bolt	2	A307 Gr. B
15	Spring Washer	4	Spring Steel
16	Bolt	4	A307 Gr. B
17	Spring Washer	2	Spring Steel
18	Bolt	2	A307 Gr. B
19	Round Flat Washer	1	A36
20	Nut	1	A307

Superior Worm Shaft

Robust square head forces the shaft never leaves the worm.



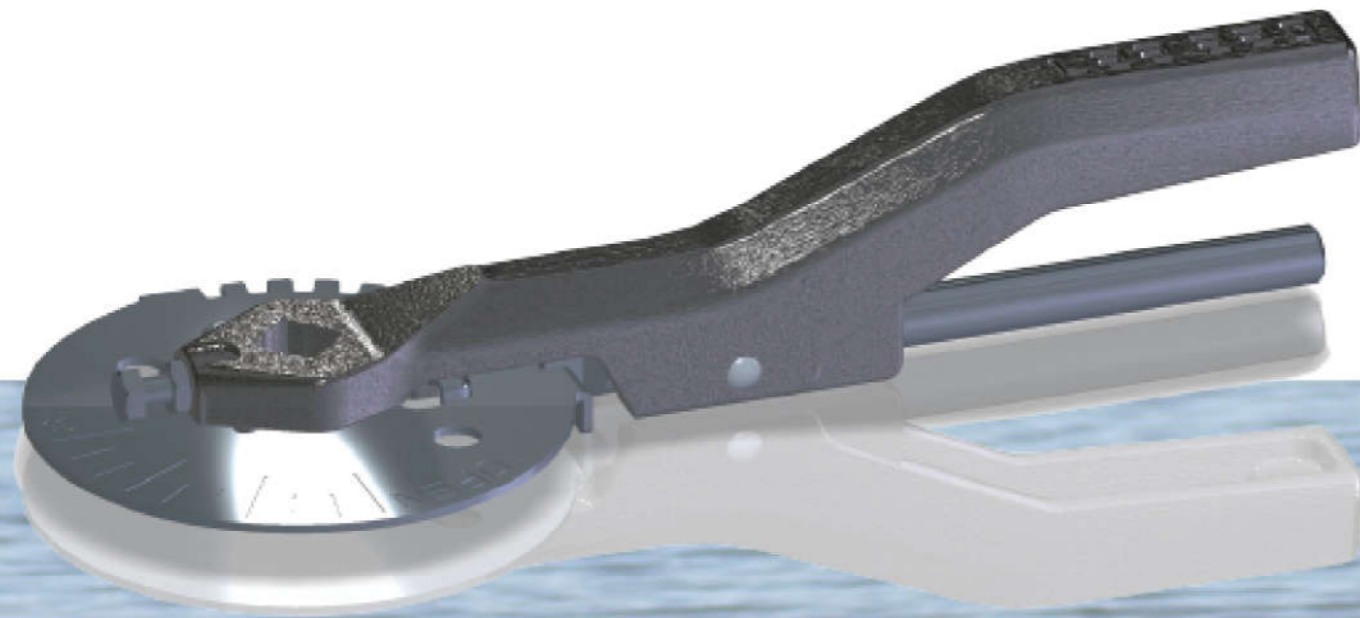
SUPPORT SERVICE

For technical service or product support, please contact our engineering department.

- ◆ Tel: 00886-2-35012626#design
- ◆ Mail: design@hippovalue.com



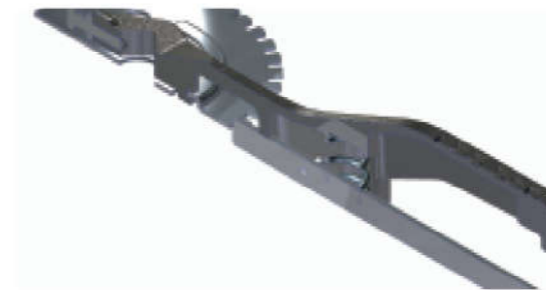
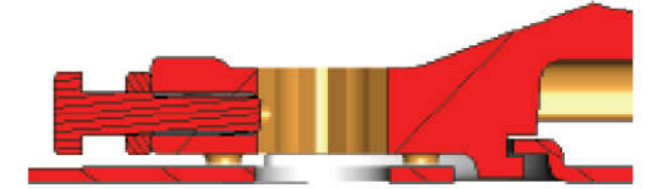
L-Series Quarter-turn Levers



FEATURES

Patented Anti-loose Locker

A vice-directional locker is designed to prevent lever drop. Even if the screw loose due to any reasons, still HIPPO's lever stays in original position.

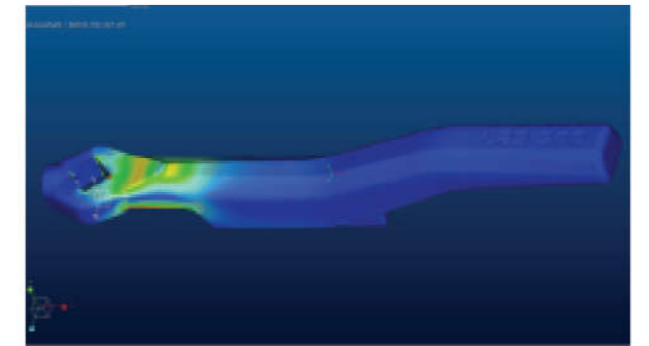


10 of Adjustable Lockable Positioner

A spring locker is built with HIPPO's 10 of adjustable indicator. A wonderful design makes lever easy to use and avoid unexcepted movement.

More Than Enough Strength Latest Modern Design

A solid 3D CAD modeling made with FEMA and Six-sigma ensures the client requirements are maximum fulfilled by best design and precious machining.



ISO Mounting

HIPPO Valve designed actuator according to gloabl standard ISO 5211 mounting. The HIPPO L-series quarter-turn lever can be assembled with any quarter-turn valve, which have ISO mounting, through HIPPO accessory york.

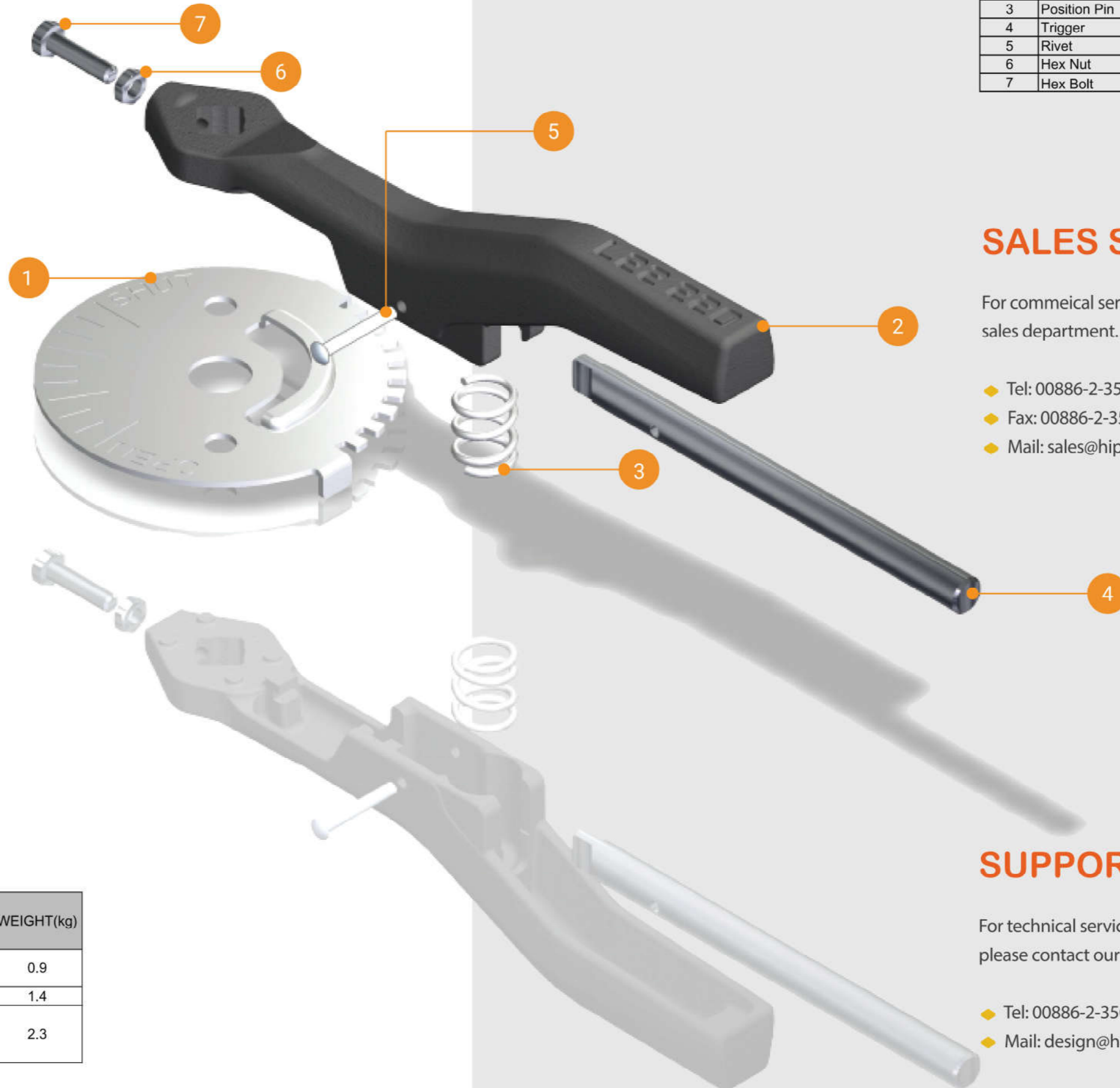
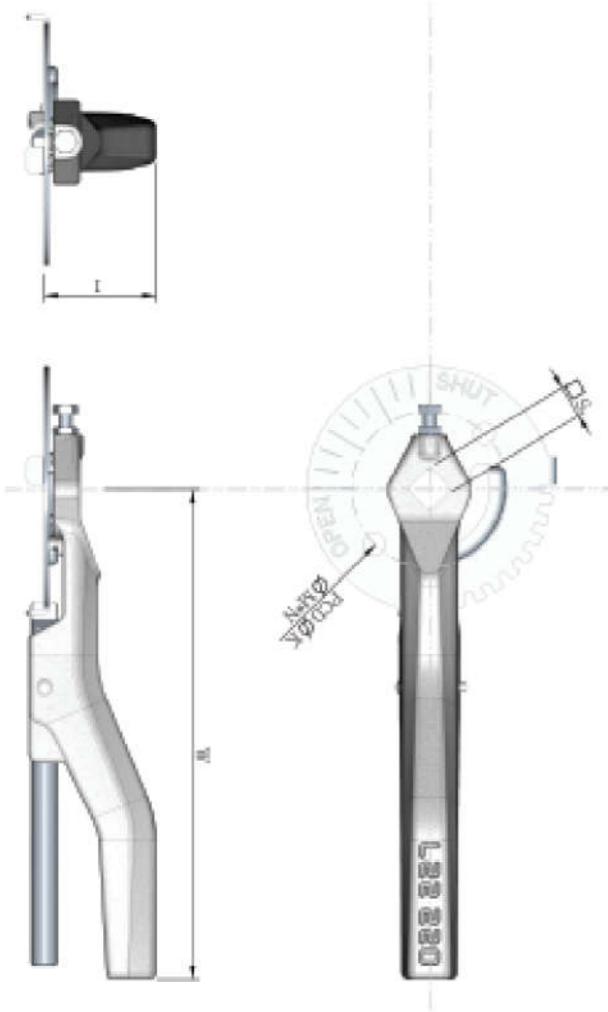
Ergonomics Design

L-series is designed with ergonomic engineering. The streamlined lever shape is perfectly suitable for every day operations. Easy to handle, hard to slip. A wonderful comfort.



DIMENSIONS

Three View Drawing



BILL OF MATERIALS

NO.	PART NAME	QTY	MATERIAL
1	Indicator	1	A182 Gr. F6a
2	Lever	1	A536 Gr. 65-45-12
3	Position Pin	1	A182 Gr. F304
4	Trigger	1	A182 Gr. F6a
5	Rivet	1	A182 Gr. F304
6	Hex Nut	1	A307
7	Hex Bolt	1	A307 Gr. B

SALES SERVICE

For commercial service, please contact our sales department.

- ◆ Tel: 00886-2-35012626
- ◆ Fax: 00886-2-35012727
- ◆ Mail: sales@hippvalve.com

Dimension Unit: mm

MODEL	K	M	N	I	W	∅S	MAX.INPUT TORQUE (Nm)	WEIGHT(kg)
L22	70	10	2	50	220	11 14	125	0.9
L23	70	10	2	50	300	17	250	1.4
L34	102	12	2	55	400	19 22 27	500	2.3

SUPPORT SERVICE

For technical service or product support, please contact our engineering department.

- ◆ Tel: 00886-2-35012626#design
- ◆ Mail: design@hippvalve.com